



## Wellworth® Classic

Two-piece elongated 1.6 gpf toilet, less seat  
**K-3505-TR**

### Features

- Vitreous china.
- Elongated bowl offers added room and comfort.
- Tank cover locks included.
- Equipped with Sloan FLUSHMATE® – Sloan® Valve Company.
- Polished Chrome trip lever.
- 1.6 gpf (6.0 lpf)
- 12" (305 mm) x 10" (254 mm) water area.

### Installation

- Seat and supply line sold separately.
- Standard 12" (305 mm) rough-in.

### Recommended Products/Accessories

- K-4636 Cachet® Quiet-Close™ Elongated Toilet Seat
- K-5588 Purefresh® Elongated Toilet Seat
- K-4108 C³®-230 Elongated cleansing toilet seat
- K-5420 Low-Profile Bolt Caps

### Included Components

Product consists of:

- K-4303 Toilet bowl, less seat
- K-4645-TR Toilet tank with cover locks, 1.6 gpf

Additional Components:

- Bolt cap accessory pack
- Equipped with Sloan FLUSHMATE® – Sloan® Valve Company
- Tank accessory pack
- Tank cover
- Trip lever



### Codes/Standards





- ASME A112.19.2/CSA B45.1
- DOE - Energy Policy Act 1992

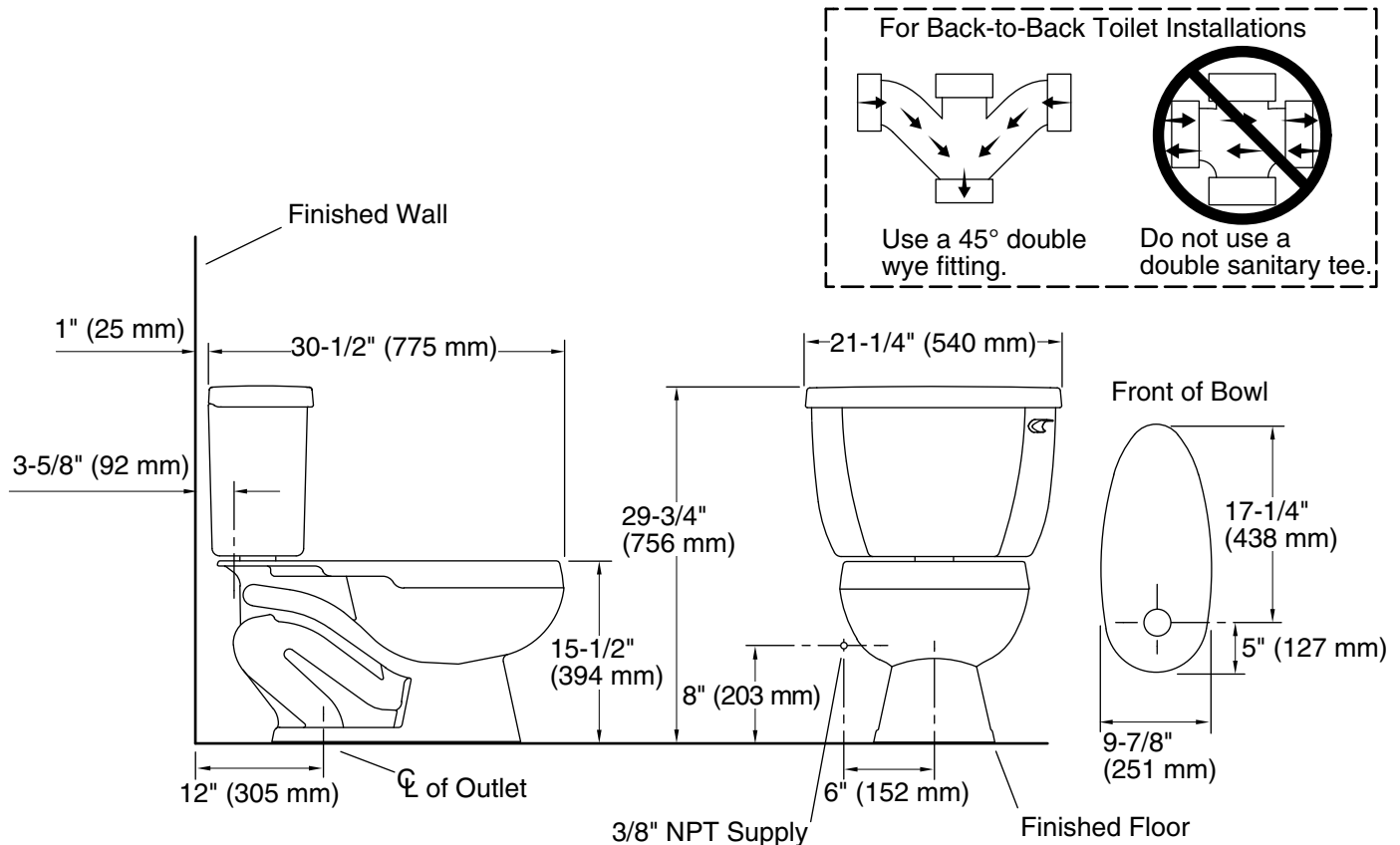
### KOHLER® One-Year Limited Warranty

See website for detailed warranty information.

### Available Colors/Finishes

*Color tiles intended for reference only.*

Color	Code	Description
	0	White
	96	Biscuit
	47	Almond
	7	Black Black™



### Technical Information

All product dimensions are nominal.

Toilet type:	Two-piece, Floor-mount
Waste Outlet:	Floor
Bowl shape:	Elongated
Flush type:	Pressure Assisted
Trap passageway:	2-1/4" (57 mm)
Water Consumption	
Full:	1.6 gpf (6 lpf)
Water surface size:	12" x 10" (305 mm x 254 mm)
Rim to water surface:	5-5/8" (143 mm)
Rough-in:	12" (305 mm)
Seat-mounting holes:	5-1/2" (140 mm)

### Fixture Supply Requirements

Min static pressure:	20 psi (137.9 kPa)
Max static pressure:	80 psi (551.6 kPa)

### Notes

Install this product according to the installation instructions.

For back-to-back toilet installations: Use only a 45° double wye fitting.